

# SE60B Sanitary Pump Technical Data Sheet



EN 60335-2-51  
KM 06066



The pumps are of a drum motor design using a hard shaft and coated bearings supporting a moulded impeller and rotor.

Motor cooling and bearing lubrication is carried out by the pumped water.

This model offers 3 speed settings to allow system requirements to be accurately met.

Electrical connection is through screwless terminals. Models feature a manual restart facility.

## Operating Range

**Maximum static pressure:** 10 bar (147p.s.i.)  
(102m water gauge)

**Liquid temperature range:** -10°C to +110°C

**Protection level:** IP42

**Insulation class:** F (155°C)

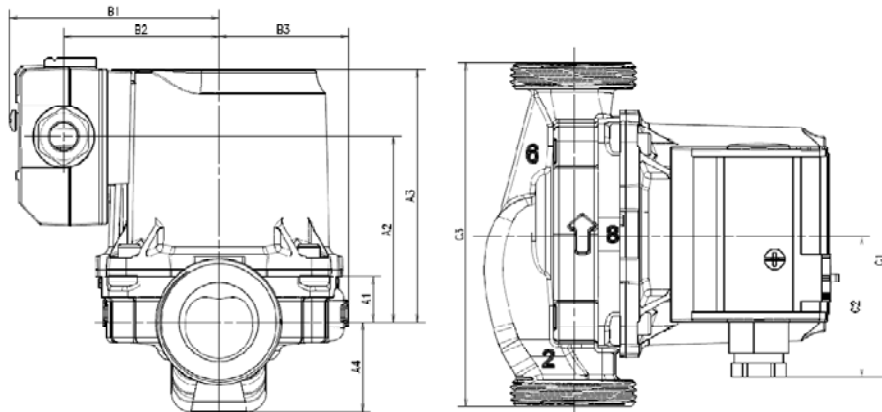
**Circulating Pumps Limited, PE30 4PP**

**Email:** [sales@circulatingpumps.net](mailto:sales@circulatingpumps.net)

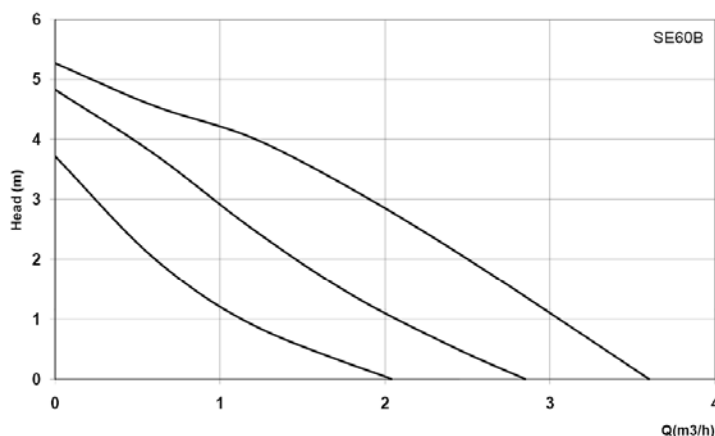
**Web:** [www.circulatingpumps.net](http://www.circulatingpumps.net)

**Tel:** +44 (0) 1553 764821

Model	Voltage	Pumpcase Configuration	Electrical Data				
			Speed Setting	Input	Max Amps	Capacitor	
						uF	Vac
SE60B	230v ~ 50Hz	130mm x 1.5"	3	63	0.28	2.0	400
			2	54			
			1	41			



Model	A1	A2	A3	A4	B1	B2	B3	C1	C2	C3	Weight
	Dimensions (mm)										KG
SE60B 130 x 1.5"	17.4	70.2	95.4	34	79.3	58.8	49	88.5	53.1	130	2.5



Performance Curves Water Temperature 20°C

